

* = optional air inlet $\phi 125$ mm

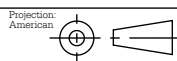
** = optional extended adjustable legs, max +150 mm

barbas

Barbas Bellfires B.V.
Hallenstraat 17
5531 AB Bladel
The Netherlands
www.barbasbellfires.com

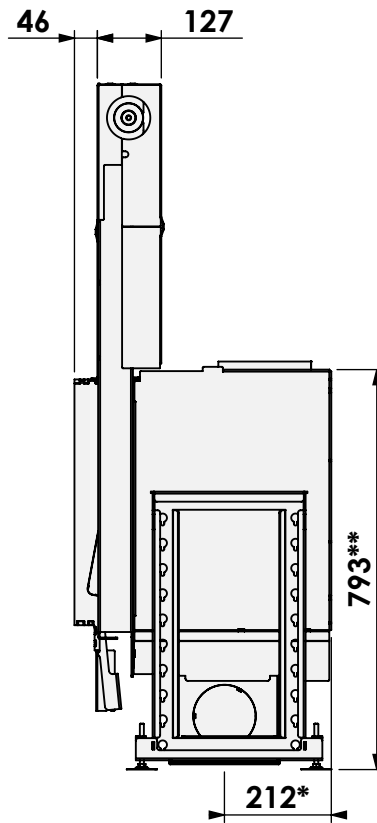
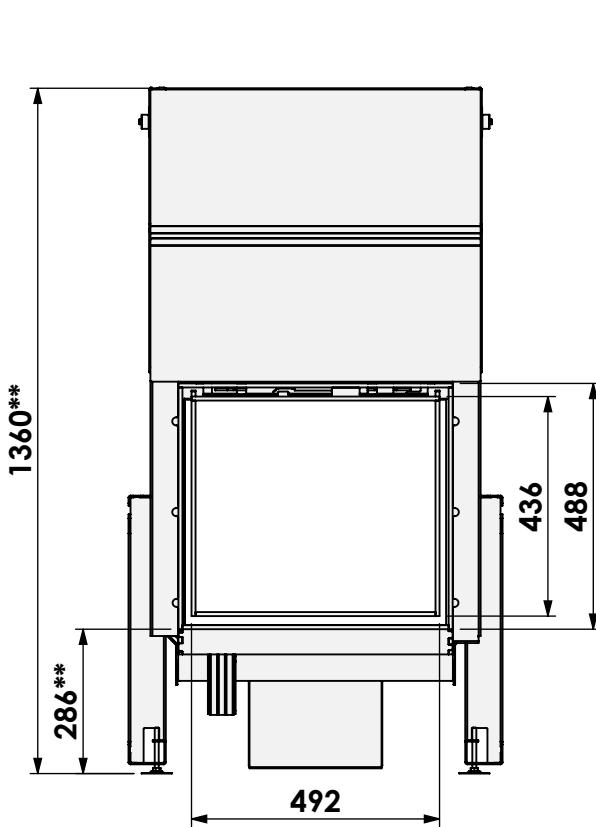
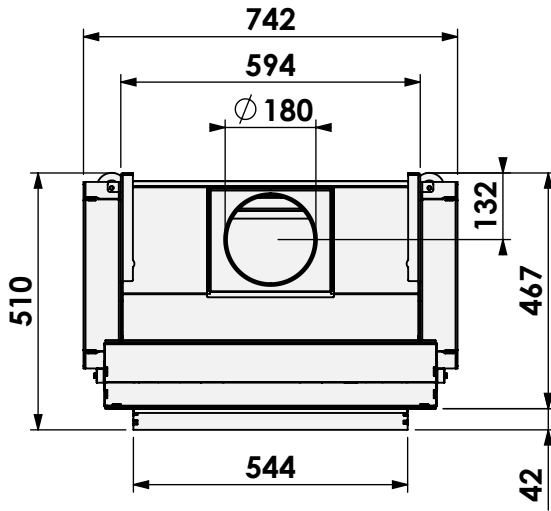
Name: **Evo-7 50-40**

Modifications reserved



Scale: **1:15**
Unit: **mm**

Version: **0**



luchtbox
airbox

* = optional air inlet \varnothing 125 mm

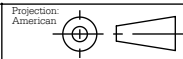
** = optional extended adjustable legs, max +150 mm

barbas

Barbas Bellfires B.V.
Hallenstraat 17
5531 AB Bladel
The Netherlands
www.barbasbellfires.com

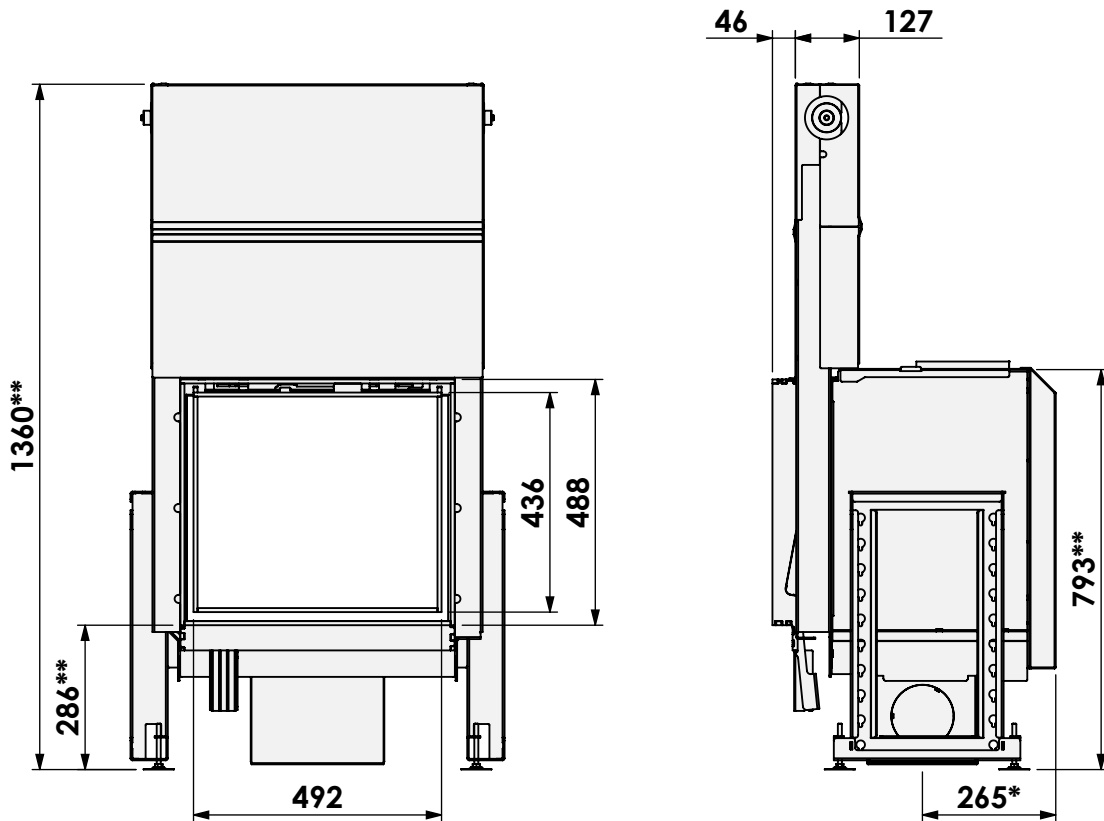
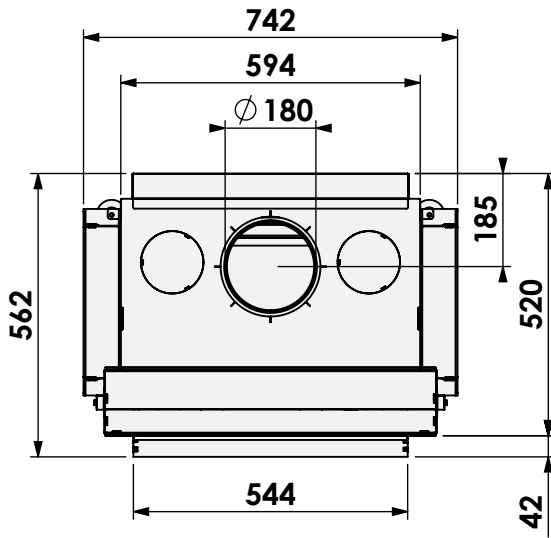
Name: **Evo-7 50-40**

Modifications reserved



Scale: **1:15**
Unit: **mm**

Version: **0**



luchtbox, convectie
airbox, convection casing

* = optional air inlet \varnothing 125 mm

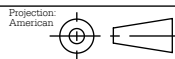
** = optional extended adjustable legs, max +150 mm

barbas

Barbas Bellfires B.V.
Hallenstraat 17
5531 AB Bladel
The Netherlands
www.barbasbellfires.com

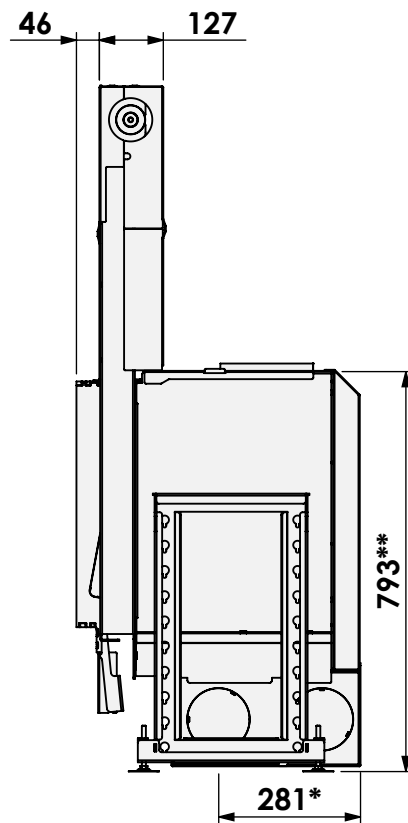
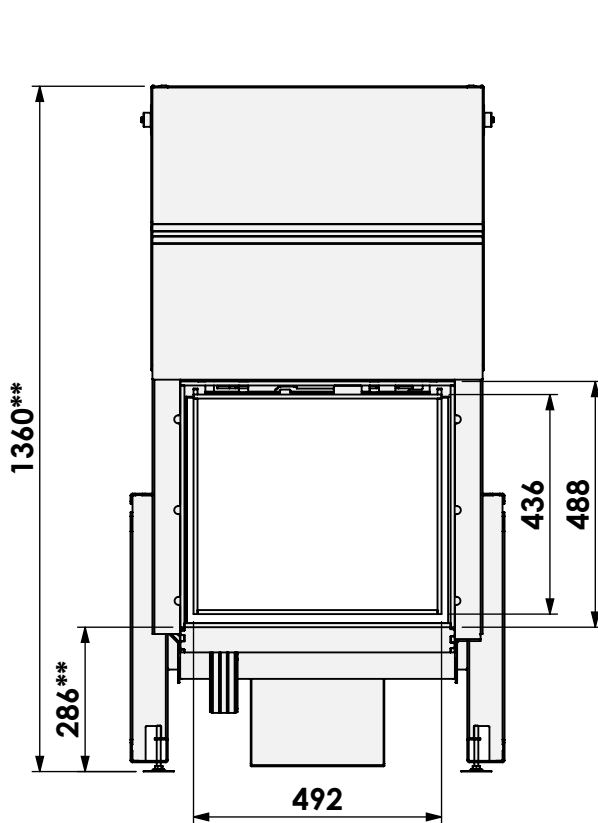
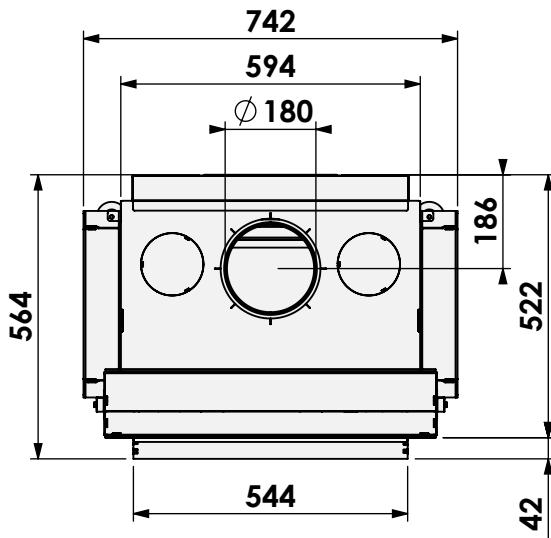
Name: Evo-7 50-40

Modifications reserved



Scale: 1:15
Unit: mm

Version: 0



Opti-Air en/of ventilator
 Opti-Air and/or fan

* = optional air inlet \varnothing 125 mm

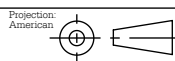
** = optional extended adjustable legs, max +150 mm

barbas

Barbas Bellfires B.V.
 Hallenstraat 17
 5531 AB Bladel
 The Netherlands
 www.barbasbellfires.com

Name: **Evo-7 50-40**

Modifications reserved



Scale: **1:15**
 Unit: **mm**

Version: **0**