

inbouw, opbouw kader
 built-in, surface-mounted frame

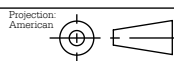
* = air inlet \varnothing 125 mm

barbas

Barbas Bellfires B.V.
 Hallenstraat 17
 5531 AB Bladel
 The Netherlands
 www.barbasbellfires.com

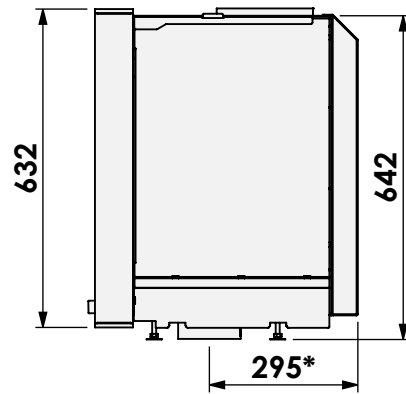
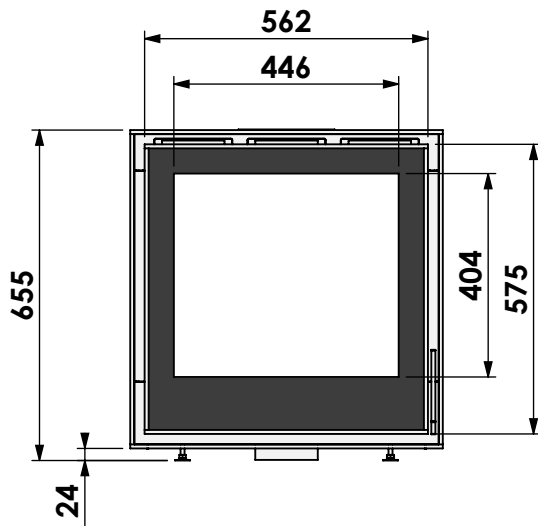
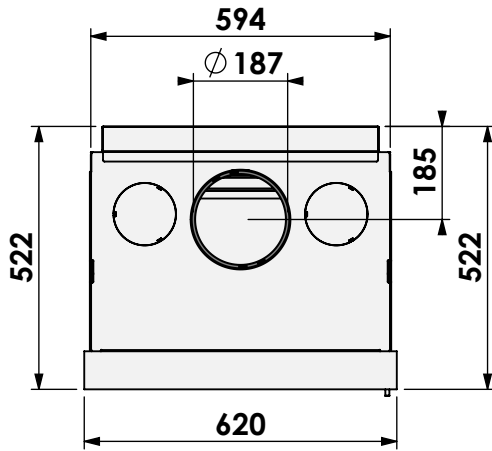
Name: Cuatro-7 60-60

Modifications reserved



Scale: 1:15
 Unit: mm

Version: 0



inbouw, opbouw kader, convectie
 built-in, surface-mounted frame, convection casing

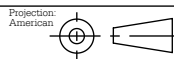
* = air inlet \varnothing 125 mm

barbas

Barbas Bellfires B.V.
 Hallenstraat 17
 5531 AB Bladel
 The Netherlands
 www.barbasbellfires.com

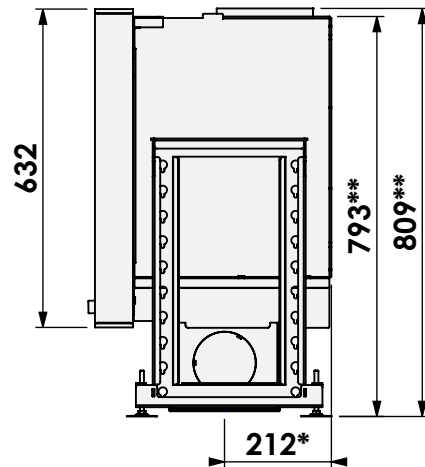
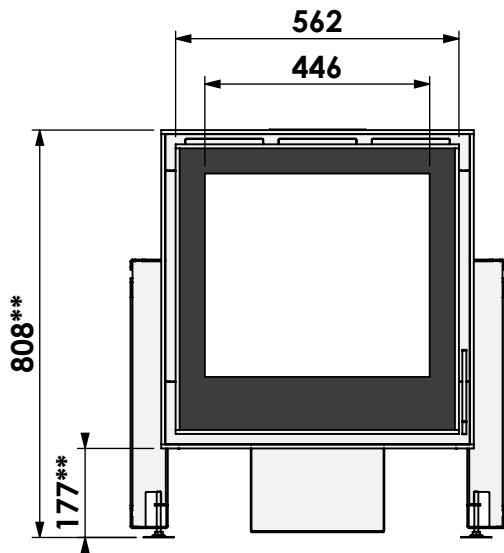
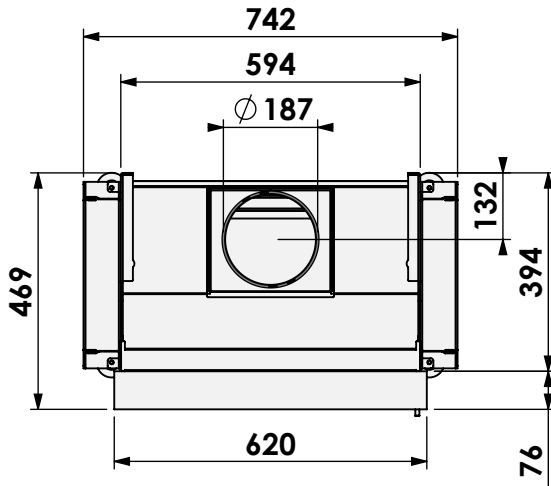
Name: Cuatro-7 60-60

Modifications reserved



Scale: 1:15
 Unit: mm

Version: 0



inbouw, opbouw kader, luchtbox
 built-in, surface-mounted frame, airbox

* = optional air inlet \varnothing 125 mm

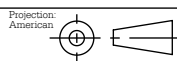
** = optional extended adjustable legs, max +150 mm

barbas

Barbas Bellfires B.V.
 Hallenstraat 17
 5531 AB Bladel
 The Netherlands
 www.barbasbellfires.com

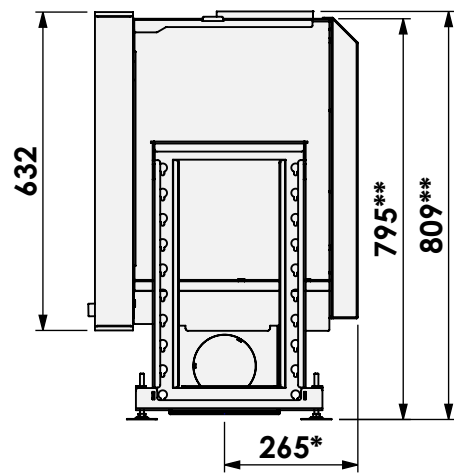
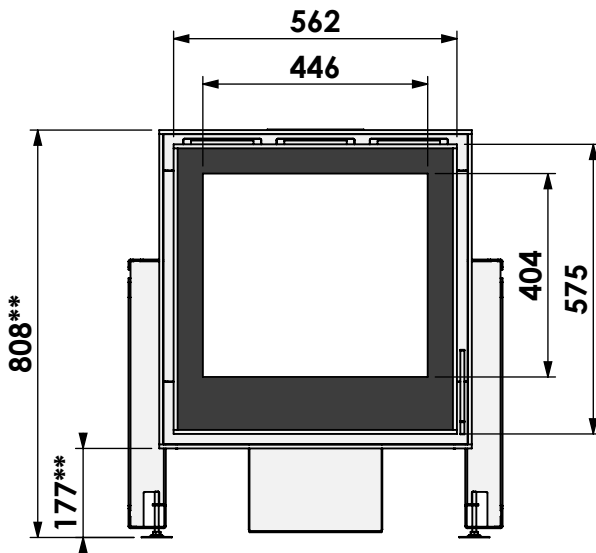
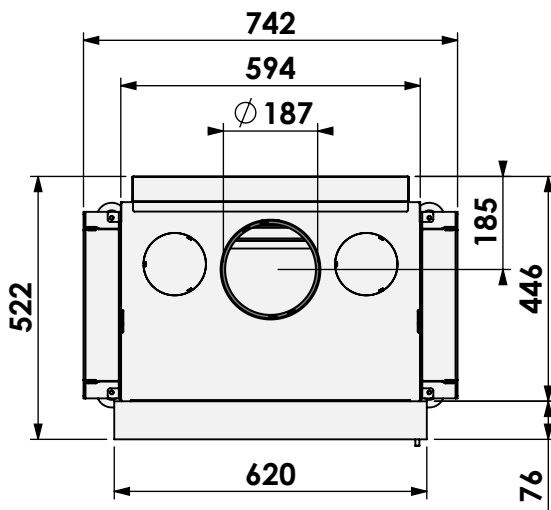
Name: **Cuatro-7 60-60**

Modifications reserved



Scale: **1:15**
 Unit: **mm**

Version: **0**



inbouw, opbouw kader, luchtbox, convectie
 built-in, surface-mounted frame, airbox, convection casing

* = optional air inlet $\varnothing 125$ mm

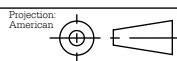
** = optional extended adjustable legs, max +150 mm

barbas

Barbas Bellfires B.V.
 Hallenstraat 17
 5531 AB Bladel
 The Netherlands
 www.barbasbellfires.com

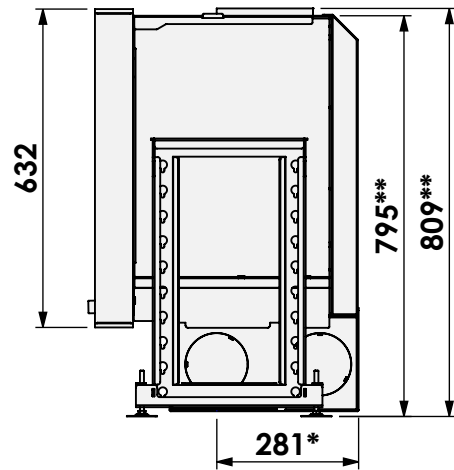
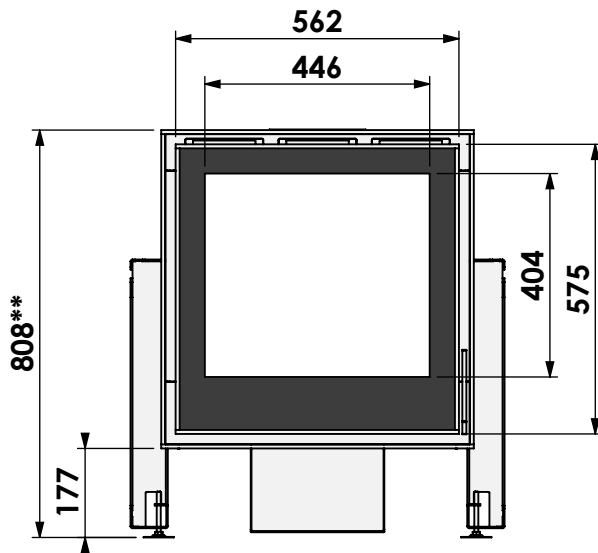
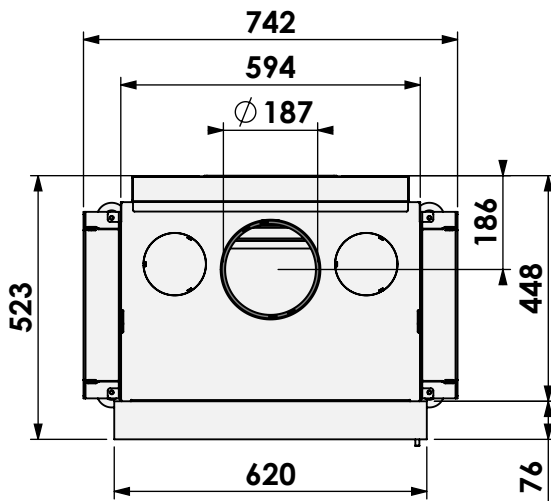
Name: Cuatro-7 60-60

Modifications reserved



Scale: 1:15
 Unit: mm

Version: 0



inbouw, opbouw kader, Opti-Air en/of ventilator
 built-in, surface-mounted frame, Opti-Air and/or fan

* = optional air inlet \varnothing 125 mm

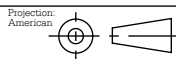
** = optional extended adjustable legs, max +150 mm

barbas

Barbas Bellfires B.V.
 Hallenstraat 17
 5531 AB Bladel
 The Netherlands
 www.barbasbellfires.com

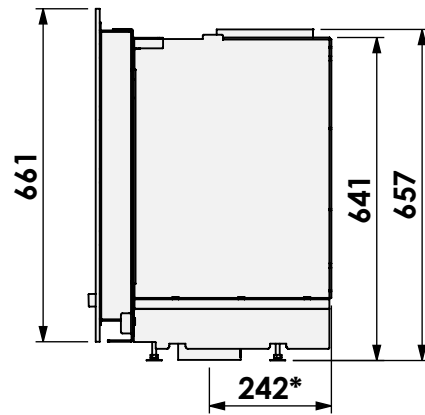
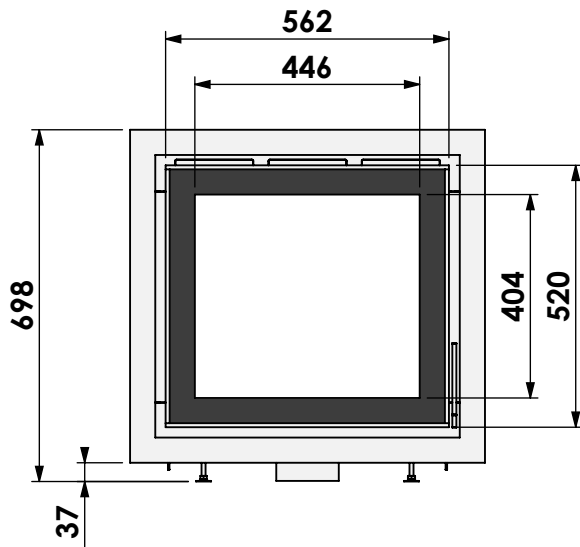
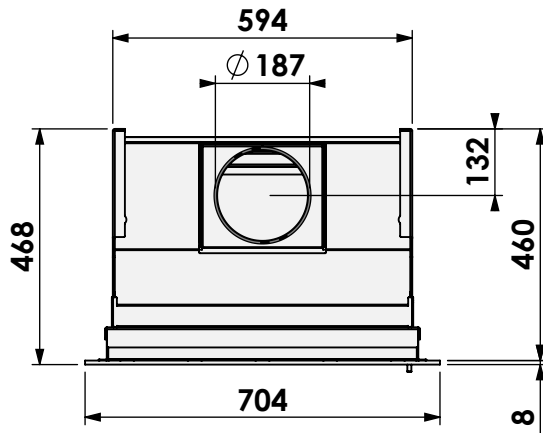
Name: **Cuatro-7 60-60**

Modifications reserved



Scale: **1:15**
 Unit: **mm**

Version: **0**



inbouw, klassiek kader
 built-in, classic frame

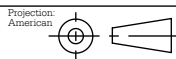
* = air inlet \varnothing 125 mm

barbas

Barbas Bellfires B.V.
 Hallenstraat 17
 5531 AB Bladel
 The Netherlands
 www.barbasbellfires.com

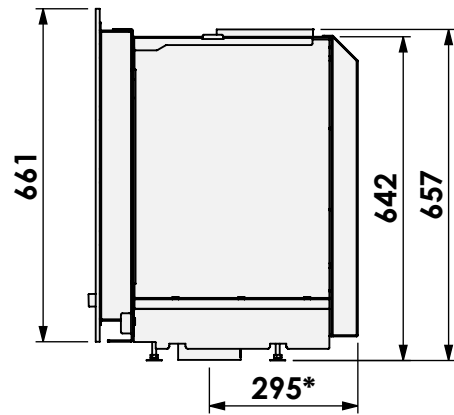
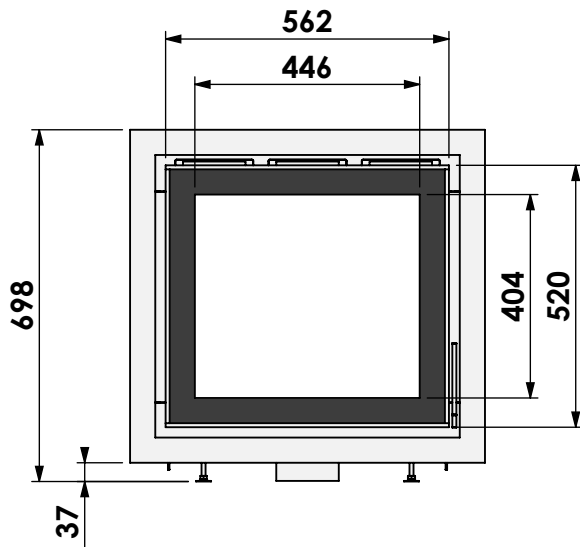
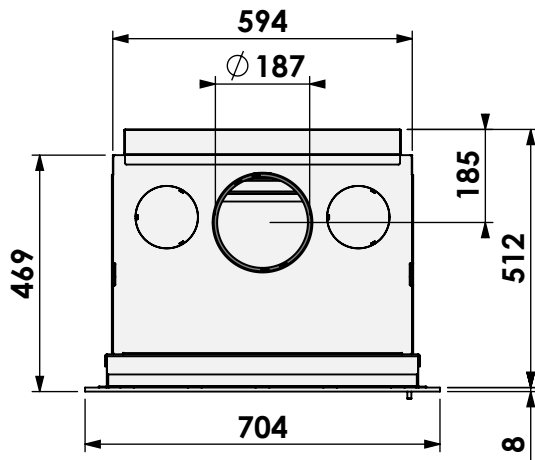
Name: Cuatro-7 60-60

Modifications reserved



Scale: 1:15
 Unit: mm

Version: 0



inbouw, klassiek kader, convectie
 built-in, classic frame, convection casing

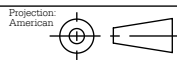
* = air inlet \varnothing 125 mm

barbas

Barbas Bellfires B.V.
 Hallenstraat 17
 5531 AB Bladel
 The Netherlands
 www.barbasbellfires.com

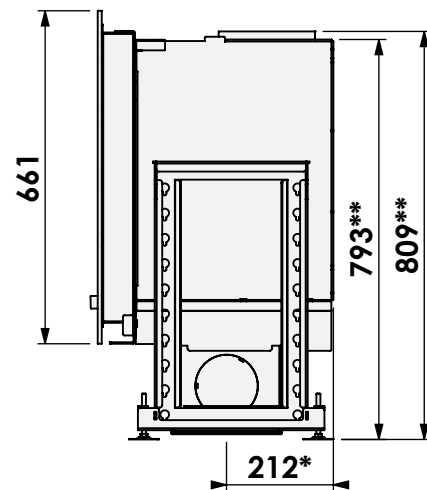
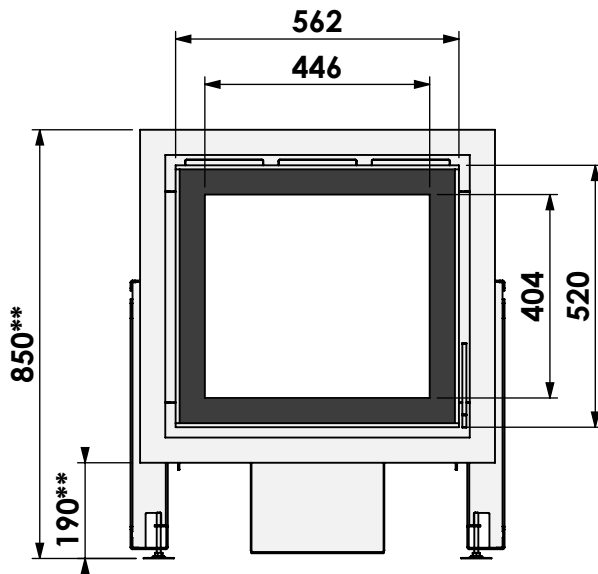
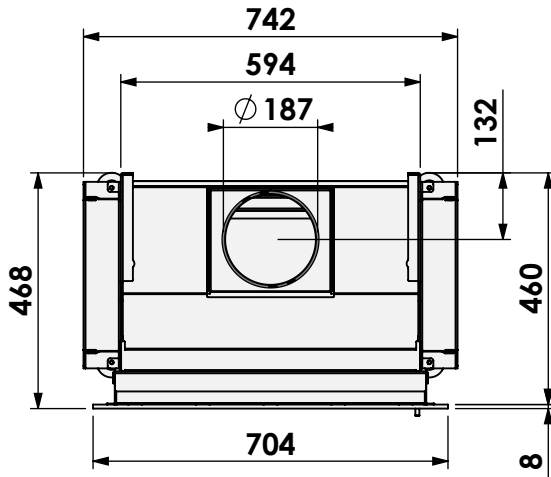
Name: Cuatro-7 60-60

Modifications reserved



Scale: 1:15
 Unit: mm

Version: 0



inbouw, klassiek kader, luchtbox
 built-in, classic frame, airbox

* = optional air inlet \varnothing 125 mm

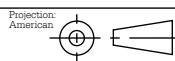
** = optional extended adjustable legs, max +150 mm

barbas

Barbas Bellfires B.V.
 Hallenstraat 17
 5531 AB Bladel
 The Netherlands
 www.barbasbellfires.com

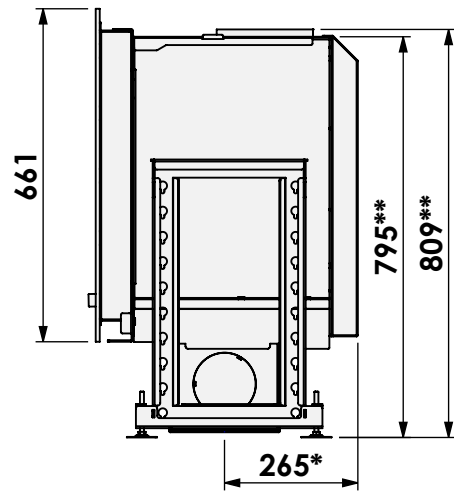
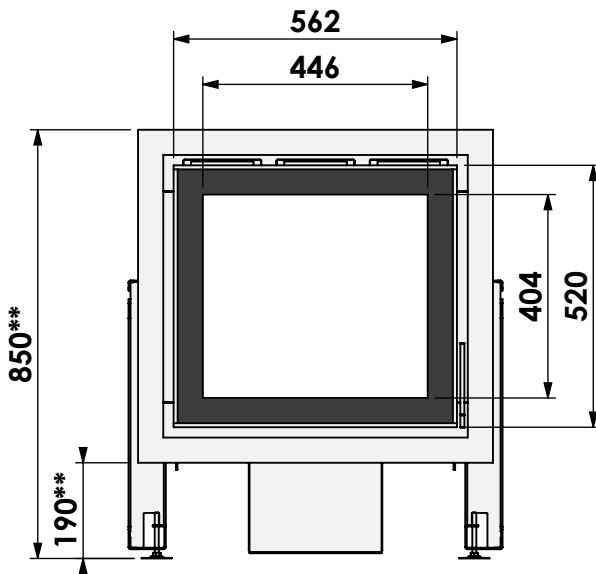
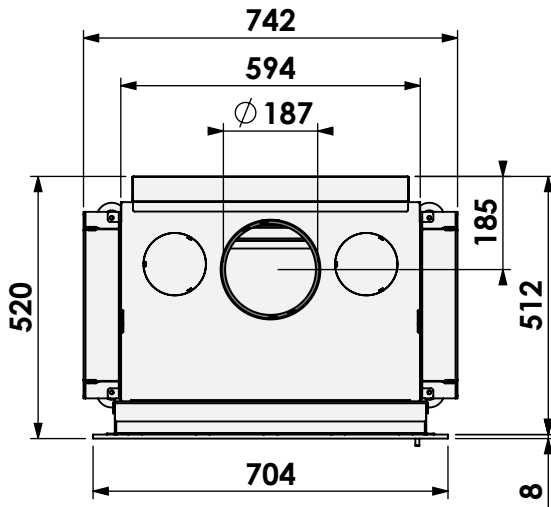
Name: Cuatro-7 60-60

Modifications reserved



Scale: 1:15
 Unit: mm

Version: 0



inbouw, klassiek kader, luchtbox, convectie
 built-in, classic frame, airbox, convection casing

* = optional air inlet \varnothing 125 mm

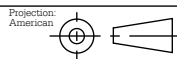
** = optional extended adjustable legs, max +150 mm

barbas

Barbas Bellfires B.V.
 Hallenstraat 17
 5531 AB Bladel
 The Netherlands
 www.barbasbellfires.com

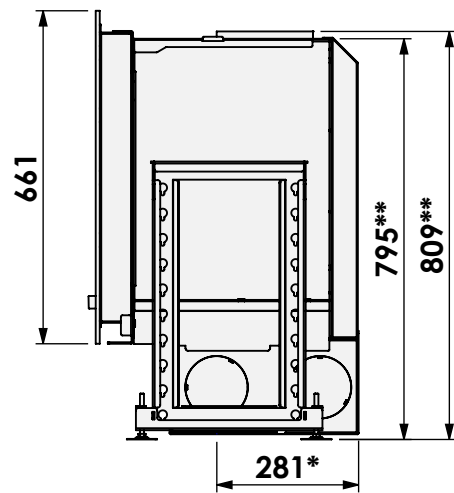
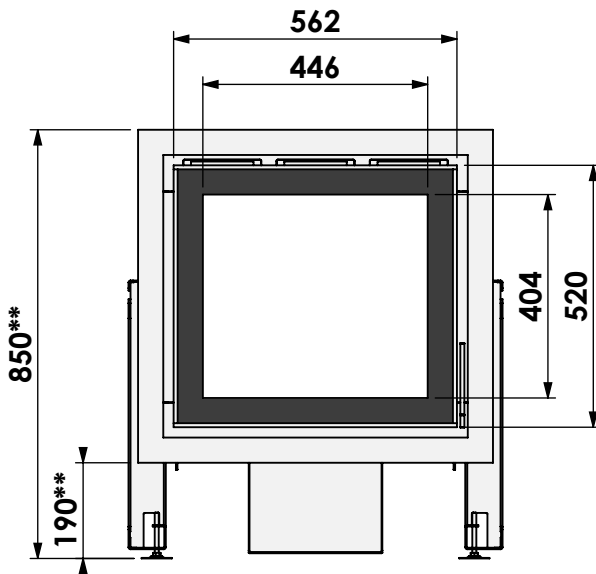
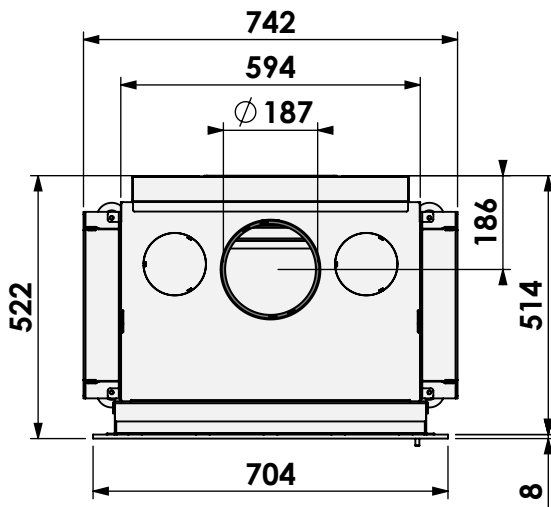
Name: Cuatro-7 60-60

Modifications reserved



Scale: 1:15
 Unit: mm

Version: 0



inbouw, klassiek kader, Opti-Air en/of ventilator
 built-in, classic frame, Opti-Air and/or fan

* = optional air inlet \varnothing 125 mm

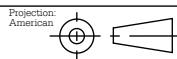
** = optional extended adjustable legs, max +150 mm

barbas

Barbas Bellfires B.V.
 Hallenstraat 17
 5531 AB Bladel
 The Netherlands
 www.barbasbellfires.com

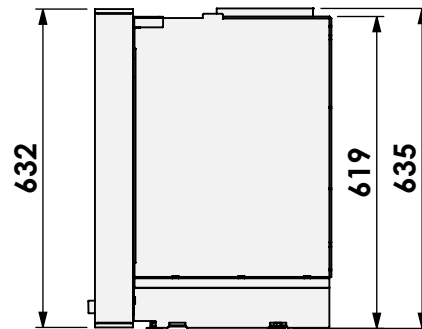
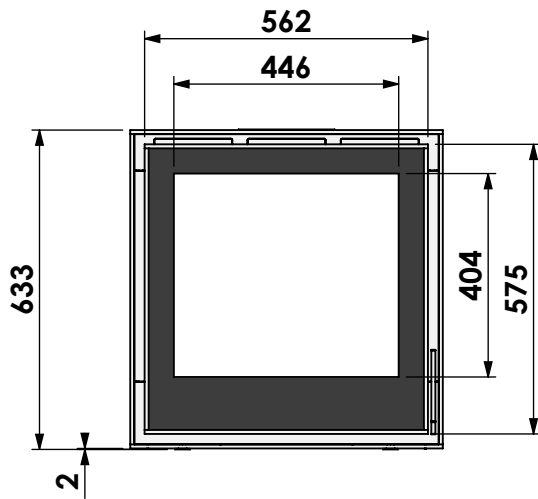
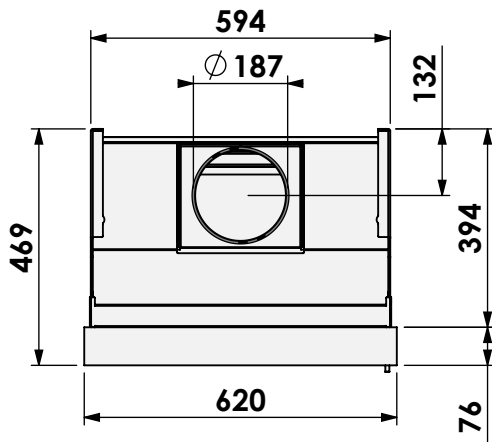
Name: Cuatro-7 60-60

Modifications reserved



Scale: 1:15
 Unit: mm

Version: 0



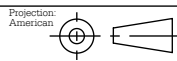
inzet, opbouw kader
inset, surface-mounted frame

barbas

Barbas Bellfires B.V.
Hallenstraat 17
5531 AB Bladel
The Netherlands
www.barbasbellfires.com

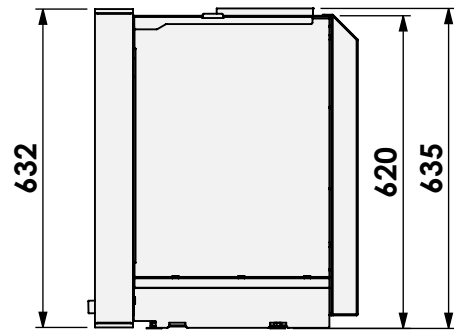
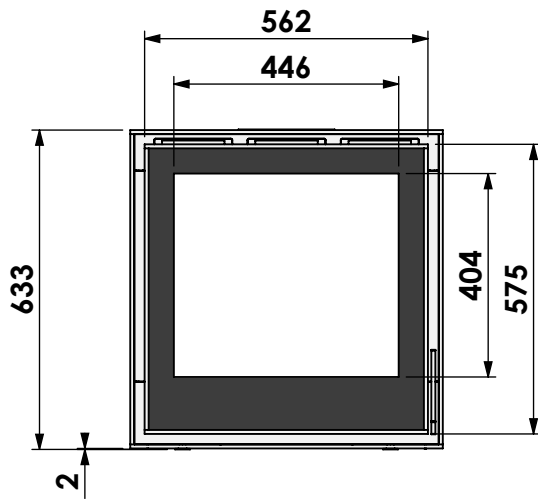
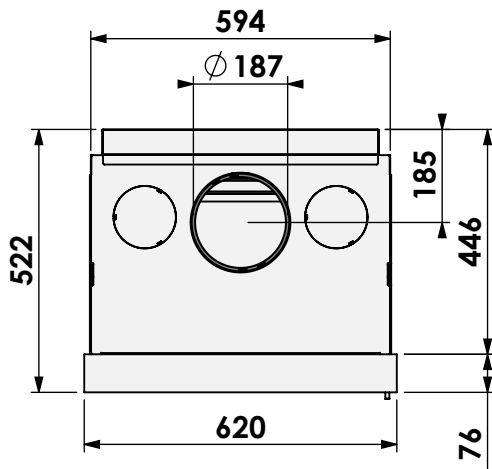
Name: Cuatro-7 60-60

Modifications reserved



Scale: 1:15
Unit: mm

Version: 0



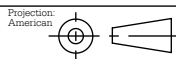
inzet, opbouw kader, convectie
inset, surface-mounted frame, convection casing

barbas

Barbas Bellfires B.V.
Hallenstraat 17
5531 AB Bladel
The Netherlands
www.barbasbellfires.com

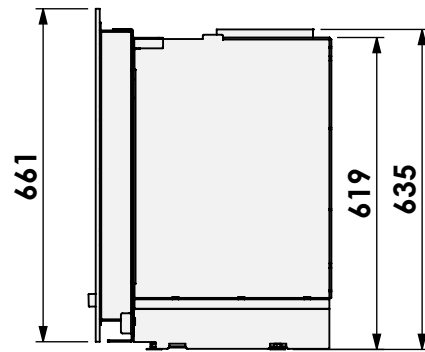
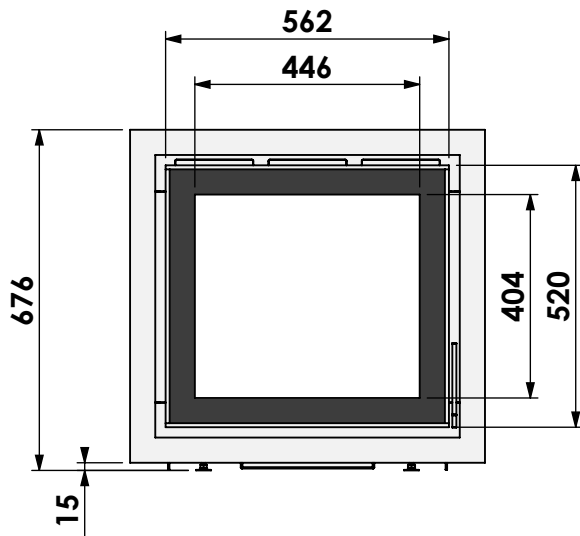
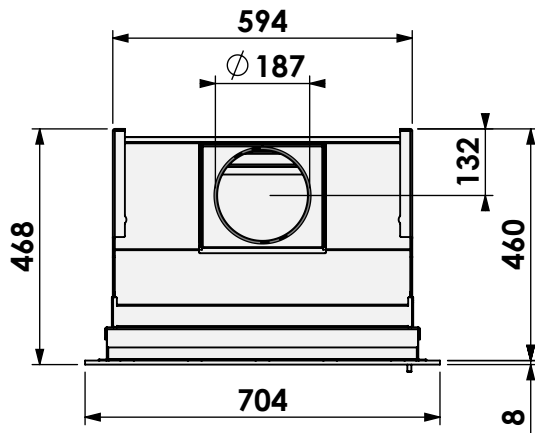
Name: Cuatro-7 60-60

Modifications reserved



Scale: 1:15
Unit: mm

Version: 0



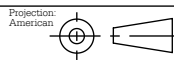
inzet, klassiek kader
inset, classic frame

barbas

Barbas Bellfires B.V.
Hallenstraat 17
5531 AB Bladel
The Netherlands
www.barbasbellfires.com

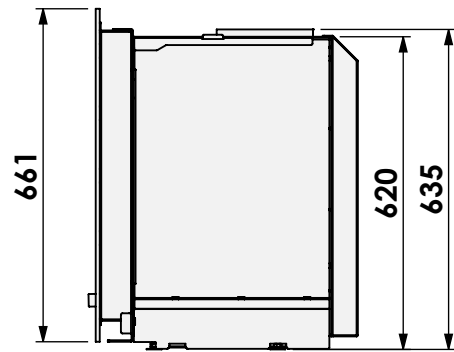
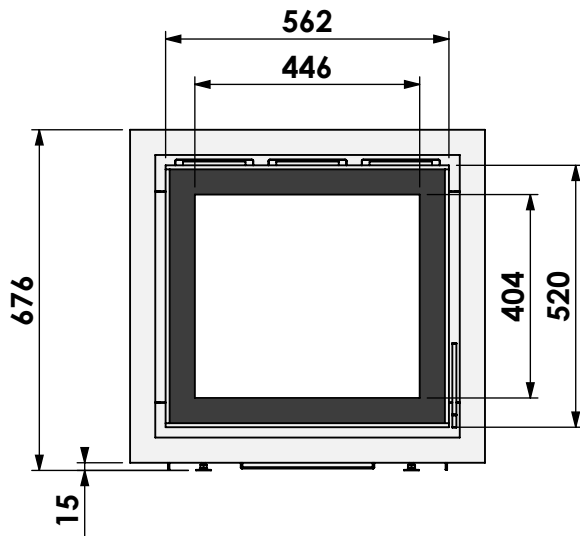
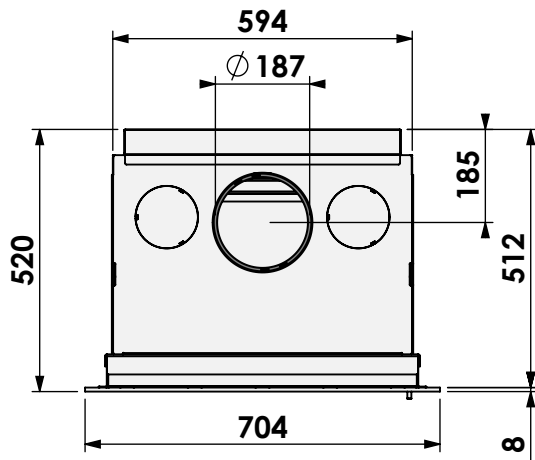
Name: Cuatro-7 60-60

Modifications reserved



Scale: 1:15
Unit: mm

Version: 0



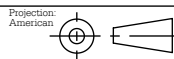
inzet, klassiek kader, convectie
 inset, classic frame, convection casing

barbas

Barbas Bellfires B.V.
 Hallenstraat 17
 5531 AB Bladel
 The Netherlands
www.barbasbellfires.com

Name: Cuatro-7 60-60

Modifications reserved



Scale: 1:15
 Unit: mm

Version: 0