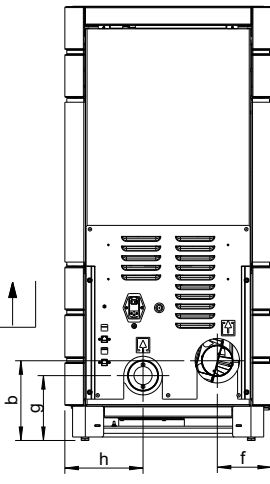
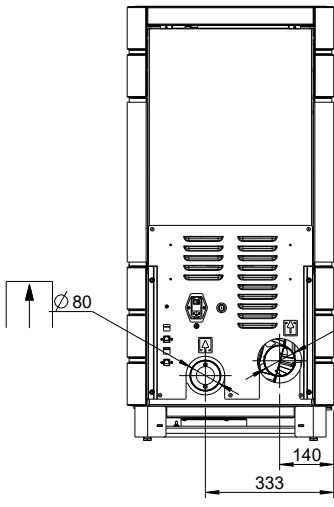
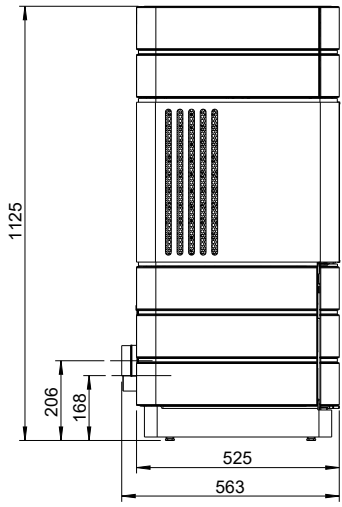
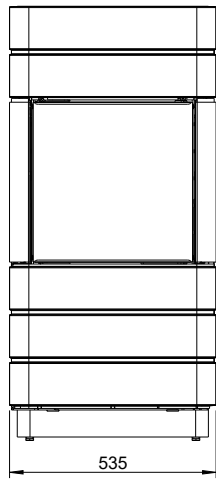
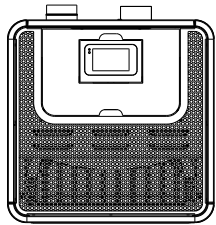


PERRY



AUSTROFLAMM



Dimensions and weight

| | |
|--|------|
| Height [mm] | 1121 |
| Width [mm] | 535 |
| Depth [mm] | 525 |
| Combustion chamber width [mm] | - |
| Combustion chamber height [mm] | - |
| Combustion chamber depth [mm] | - |
| Flue pipe outlet, diameter [mm] | 80 |
| Outside air connection diameter [Ø mm] | 80 |
| Weight, basic appliance [kg] | 163 |
| Weight Xtra [kg] | - |
| Weight, HMS [kg] | - |
| Total weight inc. steel case (STM) [kg] | 182 |
| Total weight inc. ceramic case (KGM) [kg] | 214 |
| Total weight inc. soapstone case (SPM) [kg] | - |
| b: Height of flue pipe connection, centre rear (as per diagram) [mm] | 203 |
| f: Flue pipe connection from right (as per diagram) [mm] | 140 |
| g: Height of external air connection, centre (as per diagram) [mm] | 164 |
| h: External air connection from left (as per diagram) [mm] | 203 |
| dP Radiation front [mm] | 500 |
| dS1 Distance left [mm] | 200 |
| dR Distance rear [mm] | 200 |
| dS2 Distance right [mm] | 200 |
| dB Distance bottom [mm] | 0 |
| Minimum distance from non-flammable materials [mm] | 50 |

Output

| | |
|------------------------------------|----------------|
| Nominal heat efficiency [kW] | 7.5 |
| Minimum heat output [kW] | 2.2 |
| Maximum heat output [kW] | 7.5 |
| Minimum room heating capacity [m³] | 98 |
| Maximum room heating capacity [m³] | 255 |
| Pellet hopper capacity [kg/l] | ≈ 25 kg / 39 l |
| Minimum fuel throughput [kg/h] | 0.5 |
| Maximum fuel throughput [kg/h] | 1.7 |
| Burning time, minimum [h] | 14 |
| Burning time, maximum [h] | 49 |
| Power connection [V/Hz] | 230 / 50 |

Equipment

| | |
|--|-------------|
| Room temperature sensor | standard |
| Weekly timer | standard |
| Automatic drop grate | standard |
| Ash removal | |
| Balanced flue - DiBt (German Institute for Structural Engineering) | Yes |
| WLAN module | Accessories |
| Remote control | Accessories |
| Air distribution module | - |

Data for the chimney sweep

| | |
|--|-----|
| Exhaust gas mass flow [g/s] | 5.3 |
| Flue gas temperature [°C] | 211 |
| Minimum delivery pressure at nominal heat output [Pa] | 12 |
| Minimum delivery pressure for chimney calculation [Pa] | 3 |

- not available